



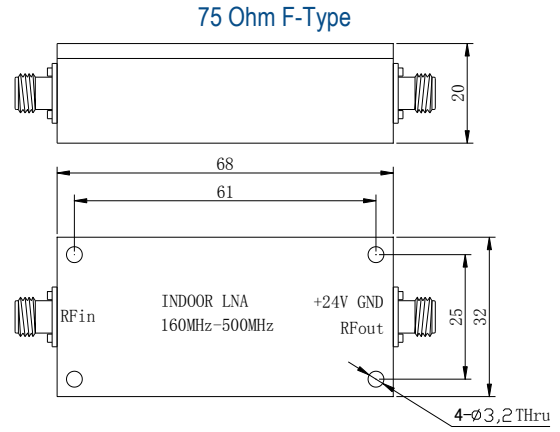
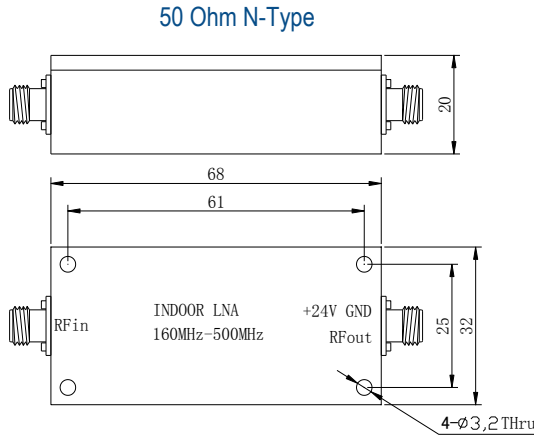
Model Number:  
**A-LNAF6-3616**

RF Components

# Low Noise Amplifier

160 - 500 MHz

- RF connectors:
- 50 Ω N-Type
  - 75 Ω F-Type



# Amplifier

Specifications			
RF Connectors		50ohm N-Type Female	75ohm F-Type Female
Frequency (MHz)		160 - 500	
Gain (dB)	Min	20	20
Gain Flatness (dB) at constant temperature	Max	± 1	± 1
P1dB (dBm)	Min	-15	-15
Pmax (dBm)		-40	-40
VSWR		< 1.6	< 1.6
Noise Figure (dB)	Max	5	5
DC Power Supply, through Output RF connector		24V+/- 1V, 100 mA	24V+/- 1V, 100 mA
Operating Temperature		0 - 45°C	0 - 45°C
Humidity		0 - 90%	0 - 90%

**Broadcast**



**Marine Oil & Gas**



**SNG & VSAT**



**Satellite Teleport**

